

3 Year Limited Warranty

Pedal Valve Inc. will repair or replace units with defects in materials or workmanship for a period of three years from date of purchase. Return unit to factory at the address below, freight pre-paid, and your unit will be repaired and shipped back at no charge.

Problems due to mineral deposits from your water, or damage to the finish are not covered by this warranty, but will be repaired at a nominal charge.

You can obtain 2-3/8" compression union from a hardware store and connect the hoses together if ever you need to have the unit out for repair.

Include name, daytime phone #, dated proof of purchase for warranty repairs, and return address when shipping unit to factory.

For Warranty Service or Repairs, Ship To:

Pedal Valves Inc.
13625 River Road
Luling, LA 70070

Tech Support 985-785-0594
Fax 985-785-0082
E-mail pvi@pedalvalve.com
www.pedalvalve.com

Owners Manual

PEDALWORKS™ FAUCET CONTROLLER

Model PVI-21



Congratulations on your purchase of a PEDALWORKS™ Faucet Controller. It is a wonderful product that provides the cleanest, fastest, and most efficient way to operate any sink. It is designed to connect to and control any faucet, and built to provide you years of enjoyable service.

Follow the steps in the installation instructions, and you should have no problems installing this product. If you do, check the troubleshooting section on page 11, and if that doesn't clear it up, give our technical support department a call.

To get the most pleasure & benefits from this technology, review the operating instructions and tips which you'll find beginning on page 8.

We appreciate you purchasing this product, and if you ever need any additional support from us, feel free to give us a call, e-mail us, or visit our web site.

Pedal Valves Inc.,
13625 River Road,
Luling, LA 70070 USA
Phone 985-785-9997 Fax 985-785-0082
e-mail; pvi@pedalvalve.com
website; www.pedalvalve.com

Trouble Shooting and Service

Installation Problems

Most problems are due to the hoses being crossed up. Double check that the water supply to the pedal is coming in to the top connections, and the lines going to the faucet are coming out of the lower connections. The left side is the hot and the right side is the cold.

Faucet trickles or drips when pedal is off - See above first. If not, determine which side is dripping. Unscrew cartridge and look for sand or debris holding cartridge open.

Pedal will not latch or unlatch - Check for interference with the floor or cabinet. Loosen adjustable bracket bolts and slide unit up and down and front to back to reposition. Sometimes you may have to tilt the unit in the bracket, or remove some of the cabinet toe kick.

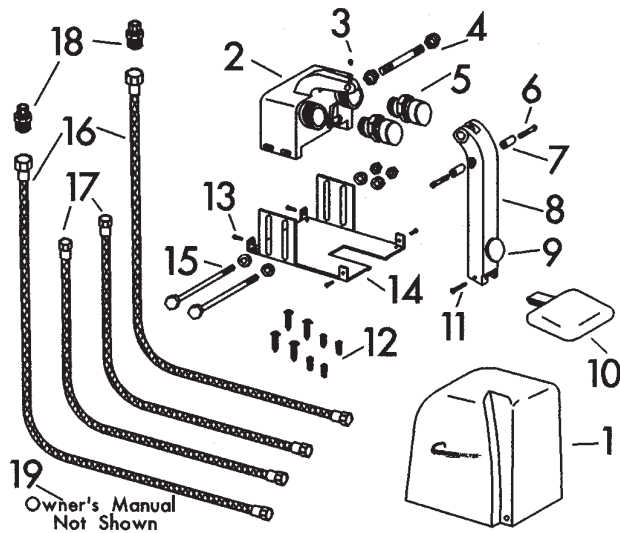
Problems after unit has been in use for some time.

Faucet Drips When Pedal Is Off - Close stop valves. Pull cartridges and inspect for debris or wear. Replace cartridges if needed.

Replacement Procedure - Install new cartridges hand tight plus a quarter of turn. Check that pedal pusher cams are touching both cartridges at same time. If not, tighten appropriate cartridge a little further.

Other problems may require a plumber for repairs, or contact Pedal Valves Inc.

Parts Breakdown



Ref#	Part #	Name of Part	Qty
1	PVI21P11	Cover, White Plastic	1
	PVI21P12	Cover, Metal	1
2	PVI21P20	Valve Body	1
3	PVI21P30	Set Screw	1
4	PVI21P40	Pedal Mounting Shaft w/nuts	1
5	PVI21P50	Cartridge (hot and cold are identical)	1
6	PVI21P60	Pusher Cam Bolt	1
7	PVI21P71	Pusher Cam (Aluminum)	1
	PVI21P72	Pusher Cam (Chrome)	1
	PVI21P73	Pusher Cam (Polished Brass)	1
	PVI21P74	Pusher Cam (Satin Nickel)	1
8	PVI21P81	Pedal Control Arm (alumilux)	1
	PVI21P82	Pedal Control Arm (Chrome)	1
	PVI21P83	Pedal Control Arm (Polished Brass)	1
	PVI21P84	Pedal Control Arm (Satin Nickel)	1
9	PVI21P92	Toe Button (Chrome)	1
	PVI21P93	Toe Button (Polished Brass)	1
	PVI21P94	Toe Button (Satin Nickel)	1
10	PVI21P101	Pedal, Lower Piece(Alumilux)	1
	PVI21P101	Pedal, Lower Piece(White)	1
	PVI21P101	Pedal, Lower Piece(Bone)	1
	PVI21P101	Pedal, Lower Piece(Chrome)	1
	PVI21P101	Pedal, Lower Piece(Polished Brass)	1
	PVI21P101	Pedal, Lower Piece(Stain Nickel)	1
11	PVI21P110	Lower Pedal Mounting Screw	1
12	PVI21P120	Adjustable Bracket Anchors	4
13	PVI21P130	Cover Screws	4
14	PVI21P140	Adjustable Bracket	1
15	PVI21P150	Bracket Bolt Nut & Washer	2
16	PVI21P160	Flex line 3/8" C X 1/2" FIP X 42"	1
17	PVI21P170	Flex line 3/8" C X 3/8" C X 30"	1
18	PVI21P180	Adapter 3/8" C X 1/2" MIP	1
19	PVI21P190	Owners Manual Models 211	

Contents Of Box



Installation Tools Needed

- Drill with 2" hole saw. A jigsaw or keyhole saw can be used instead, but the 2" hole saw is the easiest.
- 1/4" Drill bit • Crescent wrench • 5/8" end wrench
- 9/16" end wrench • 1/2" end wrench • 13/16" end wrench • Phillips head screwdriver (#2) • Snips, sharp knife, or scissors • Ruler or tape measure
- Flash light • Rags • Pencil

Installation Steps for PEDALWORKS™

1. Remove contents from box and review instructions before proceeding.
2. Remove phillips head screw at bottom side of pedal arm, and pull out the lower part of the pedal. It can be a little snug, so give it a good pull if needed.



More Tips and Benefits

More tips for the kitchen

When rinsing vegetables, fish, or meats; step on and off the pedal instead of leaving the water running.

Germ from handling raw chicken, hamburger, etc. like salmonella and E-Coli are safely washed down the drain instead of going on to the knobs.

When hands are covered with flour, you can wash the mess off your hands without making another mess on the faucet handles.

When holding babies, or on the phone, you can still turn the water on and off without having to put things down.

Small children can get water, even though they can't reach the faucet.

In Utility Rooms, Basements, and Workshops

Big messes are sometimes made at these sinks. PEDALWORKS lets you wash the mess down the drain instead of making a mess of the faucet, sink, mirrors, and backsplash.

It's great when washing pets. A hose with a showerhead for the spout is also helpful. Step on and off the pedal when washing and rinsing your pets. Your hands stay free to hold the pet and you don't have to keep re-adjusting the knobs.

When cleaning paintbrushes, muddy shoes, the hands-free operation of PEDALWORKS helps you cleanup one mess without making another one.

In Bathrooms

When washing your hands and/or your face, your faucets will stay bright, shiny, and germ free because you don't have to touch the handles.

When brushing teeth or shaving use PEDALWORKS to save water.

In children's baths, little ones can use the sink when they are too short to reach the faucet. No more climbing on the counter, to turn on the water.

Saving water and hot water energy is a way you and your family will make a real positive contribution to protecting the environment.

3. Using the template, mark the hole locations for the pedal arm, and the 4 mounting screw anchors.

You have the freedom to mount the unit where ever you want. From our experience these are some guidelines we recommend:

- If the cabinet has a divider between the left and right door, mount it right behind the divider.
- If there is framing around the cabinet, but no door divider, mount it right behind the frame. If the sink is a single compartment as in bathrooms, mount it towards the hinged side of the space. If the sink is a double compartment as in kitchens, the center of the sink is recommended.
- If the cabinet is frameless, you can cut the slot instead of drilling the 2" hole.
- Observe if the cabinet door recesses into the cabinet when closed. If so mount the unit back enough so it doesn't interfere with the door.



4. Using a drill and 1/4" bit, drill four holes for the mounting screw anchors.
5. Drill hole for pedal using 2" hole saw, or cut hole with jig saw. If using jig saw slot can be cut.



Operating Instructions

Using your PEDALWORKSsm Faucet Controller is very simple. We do suggest you read the following tips and share them with your family. This will help you get the most benefits from this technology.

1. Have the handles on your faucet open to any desired setting. Step on and off the pedal to activate water flow at that setting.
2. Push the latch button in with your foot to latch the pedal open. You do this when you need constant flow; as when waiting for the water to heat up, or running the garbage disposer. Step on the pedal again, and latch automatically releases.
3. When the pedal is latched open you can use your faucet handles the old fashioned way.
4. To disable the pedal from being used you can close the faucet handles.

saves a tremendous amount of hot water.



Tips

Routine Operations in the Kitchen.

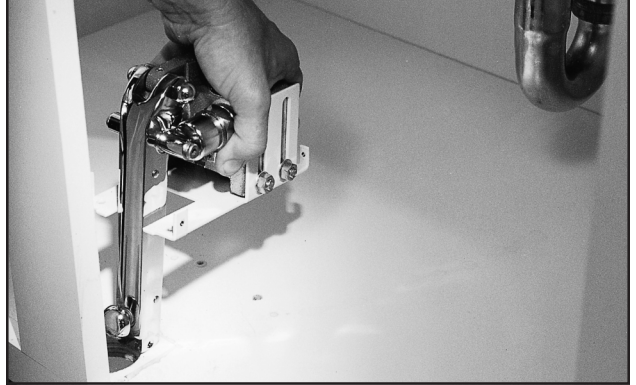
When washing your hands, step on the pedal to wet your hands. Step off while lathering with soap. Step on the pedal again to rinse. This saves more than 50% of the water used for hand-washing.

Keep your faucet set for cold water only during the day and after dinner. When preparing dinner and doing the dishes, set it for warmer. This keeps you using cold water most of the time.

When rinsing dishes, generally latch the pedal open long enough for the water to heat up. Then, step on and off the pedal as you rinse dishes and load the dishwasher. This saves a tremendous amount of hot water.

6. Insert a plastic mounting screw anchor in each of the 1/4" holes (4 total).

7. Lower PEDALWORKSsm through hole as shown, and install a mounting screw in each corner.



8. Re-insert pedal and phillips head screw.

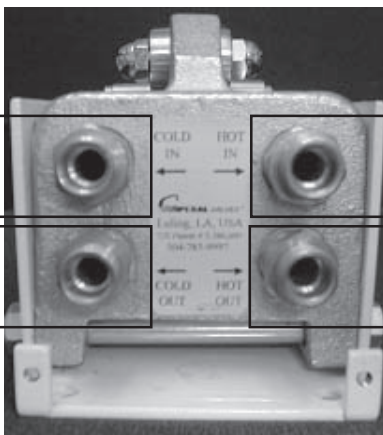
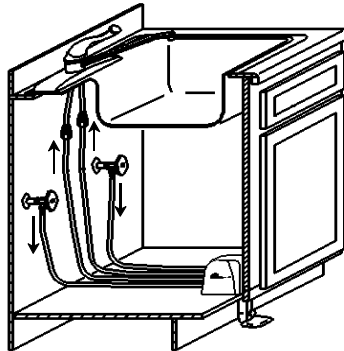


9. Loosen bracket bolts so valve will slide up & down, and front to back. Position the valve in bracket so that bottom of the pedal is at least 3/4" above the floor, and the pedal operation is not obstructed by any part of the cabinet. Firmly tighten bracket bolts.



10. Connect the stainless steel braided lines as shown.

The flex lines should be hand tightened, and then turned gently with a wrench till you feel the rubber seals begin to firm up. About one full turn. Do not over tighten.

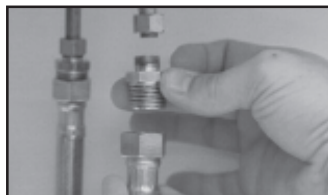


Connects to Cold Supply Valve	COLD IN	HOT IN	Connects to Hot Supply Valve
Connects to Cold Side of Faucet	COLD OUT	HOT OUT	Connects to Hot Side of Faucet

This illustration shows where to connect the flex lines




Make the connections at the faucet. The two hoses with the larger ends (1/2 FPT) are used; one on the hot, and one on the cold.



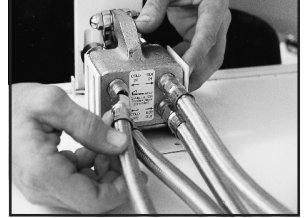
Some faucets have 3/8" connections instead of 1/2". If this is the case with your faucet, use the adapters provided and connect as shown. The compression connector should be hand tight plus 1-1/2 turns.

After making the connections at the faucet, connect the other ends of these hoses to the bottom connections on PEDALWORKS. The hot and cold sides are marked.

Next make the connections at the supply stops. The hoses with 3/8" connectors (the smaller size) on both ends are used. Again, one on the hot, and one on the cold.

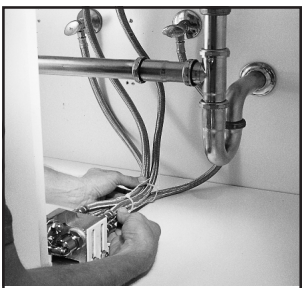


Then, connect these hoses to the top connections on the back of PEDALWORKS. The hot and cold are marked.

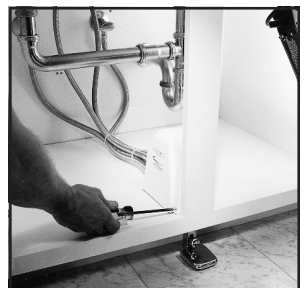


!!! After completing the hose connections, double check to make sure you have them connected correctly. PEDALWORKS will not work correctly if the hoses are mixed up.

11. Open up the stop valves and the faucet. Test the operation by stepping on and off the pedal, and latching and unlatching the pedal. The system will sputter till the air gets out of the lines. Check carefully for any leaks. Snug up any fittings that are dripping. Re-adjust bracket if needed.



12. Using the cable ties, bundle the hoses together in two places to make a neat installation. Snip off the excess.



13. Re-install the cover over the assembly, and install the 4 screws.